

## Deluxe Heat-A-Ventlite

### MODELS: 9093 SERIES

**IMPORTANT: DO NOT MOUNT OVER TUB OR IN SHOWER STALL ENCLOSURE.**

#### INSTALLATION PRECAUTIONS

**NOTE: Cutout dimensions 13¼" diameter.**

1. Observe all requirements in these instructions and all markings appearing on the unit.
2. Check all operations of the unit after installation has been completed.
3. **The housing must be grounded and the installed wiring must comply with all local electrical codes.**
4. The flange of the rough-in housing **MUST** be flush with the finished plaster or drywall surface to assure proper and safe operation.
5. If plaster material, paint base, or paint is sprayed on the walls or ceiling, the inside of the housing must be masked off to prevent this material from entering the housing.
6. The switch (furnished) should be used and wired in accordance with the wiring diagram.

#### INSTALLATION PREPARATION

1. Remove complete assembly from carton. Loosen screws holding grille and remove the grille.
2. Loosen power unit mounting screws and remove power unit from rough-in housing.
3. Remove tape from back draft damper and be certain the damper opens and closes freely.

#### MOUNTING TO OPEN JOISTS

Refer to Figure 1.

1. Insert hanger bar on mounting bracket opposite discharge opening and mount rough-in housing to ceiling joists at desired location.
2. Install mounting brackets into slots in housing and adjust housing so flange will be flush to proposed finished ceiling line. Tighten screws securely.
3. Attach 4" round duct and vent to outside through wall or ceiling.
4. Remove desired knockout from junction box in housing.

#### WIRING

1. **Refer to Figure 2.** Run 115-120 Volts (20 amp circuit only) 12 gauge wire from heater's junction box to wall switch.
2. The switch installs in a double-gang outlet box. When a thermostat or timer is used, connect at point marked "T".
3. Install junction box cover in heater housing when wiring is complete.

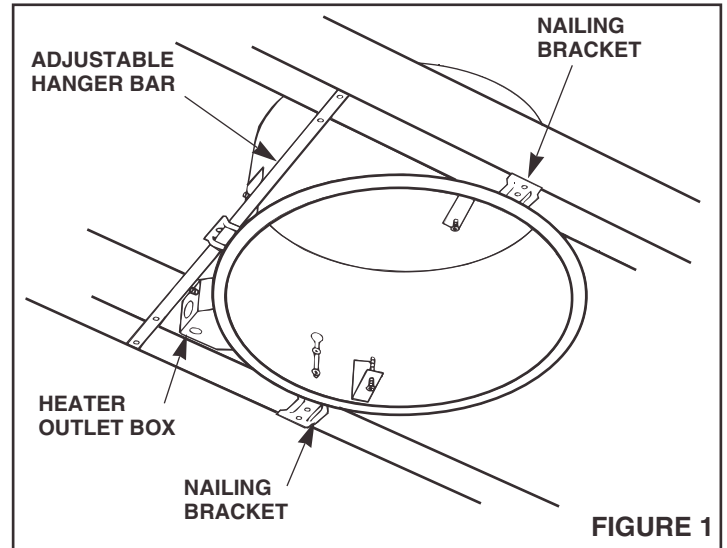


FIGURE 1

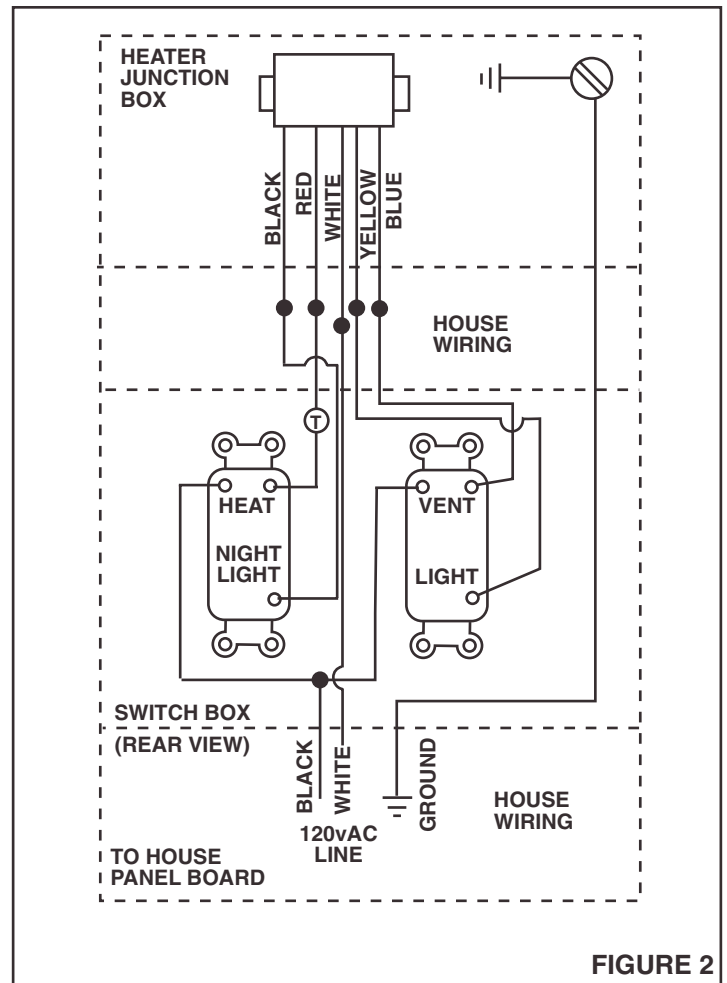


FIGURE 2

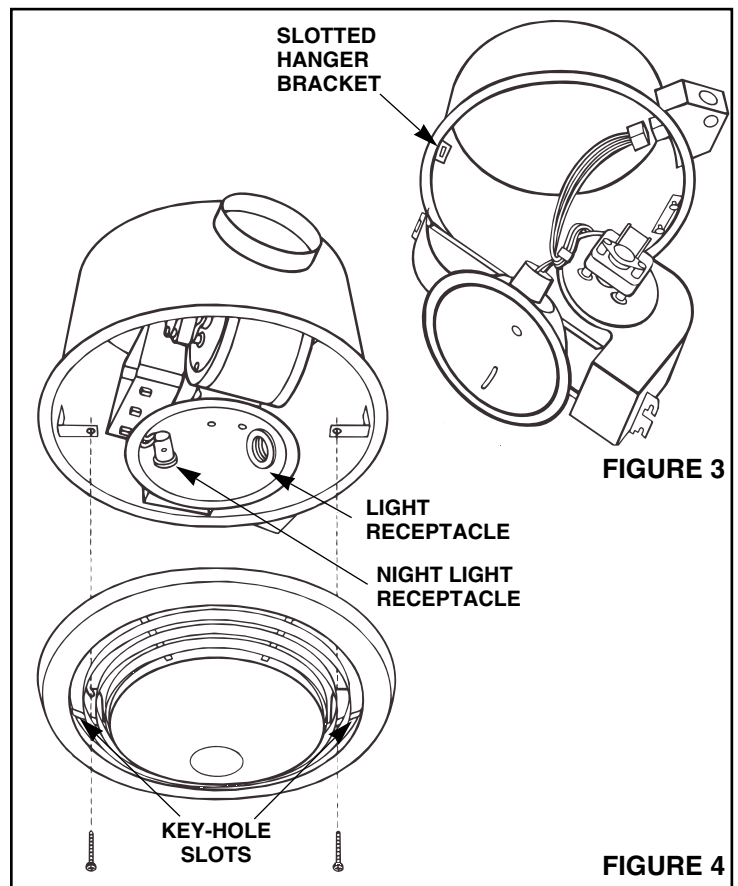
## COMPLETING INSTALLATION

1. Refer to Figure 3. Insert hooked hinge on power unit to hanger bracket in rough-in housing.
2. Swing fan and heater unit into place over mounting bracket screws and tighten securely.
3. Plug in fan and heater assembly to receptacle in junction box cover.
4. Refer to Figure 4. Install 100 watt bulb and 7 watt lamp for night light.
5. Mount grille and lens assembly over mounting screws in housing. Tighten securely.

## INSTALLATION IN EXISTING CONSTRUCTION

1. Review "WIRING" section of these instructions.
2. Drill a small hole in ceiling in proposed location (locate this hole in attic or crawl space).
3. In attic, mark ceiling for cutout by using the housing as a template. Mark around outside of plaster flange. Make cutout along this line.
4. Connect wires from switch to heater before mounting the housing.
5. Install a header between ceiling joists and nail housing to one joist and header.
6. Install ductwork.
7. Install power unit, light bulbs and grille/lens assembly. Refer to "COMPLETING INSTALLATION".

**NOTE: Please refer to your NuTone catalog for a complete listing of optional accessory items.**



# NuTone®

## One Year Limited Warranty

**WARRANTY OWNER:** NuTone warrants to the original consumer purchaser of its products that such products will be free from defects in materials or workmanship for a period of one (1) year from the date of original purchase. **THERE ARE NO OTHER WARRANTIES, EXPRESS OR IMPLIED, INCLUDING, BUT NOT LIMITED TO, IMPLIED WARRANTIES OF MERCHANTABILITY OR FITNESS FOR A PARTICULAR PURPOSE.**

**During this one year period,** NuTone will, at its option, repair or replace, without charge, any product or part which is found to be defective under normal use and service. **THIS WARRANTY DOES NOT EXTEND TO FLUORESCENT LAMP STARTERS OR TUBES, FILTERS, DUCT, ROOF CAPS, WALL CAPS AND OTHER ACCESSORIES FOR DUCTING.** This warranty does not cover (a) normal maintenance and service or (b) any products or parts which have been subject to misuse, negligence, accident, improper maintenance or repair (other than by NuTone), faulty installation or installation contrary to recommended installation instructions.

The duration of any implied warranty is limited to the one year period as specified for the express warranty. Some states do not allow limitation on how long an implied warranty lasts, so the above limitation may not apply to you.

**NUTONE'S OBLIGATION TO REPAIR OR REPLACE, AT NUTONE'S OPTION, SHALL BE THE PURCHASER'S SOLE AND EXCLUSIVE REMEDY UNDER THIS WARRANTY. NUTONE SHALL NOT BE LIABLE FOR INCIDENTAL, CONSEQUENTIAL OR SPECIAL DAMAGES ARISING OUT OF OR IN CONNECTION WITH PRODUCT USE OR PERFORMANCE.** Some states do not allow the exclusion or limitation of incidental or consequential damages, so the above limitation or exclusion may not apply to you. This warranty gives you specific legal rights, and you may also have other rights, which vary from state to state. This warranty supersedes all prior warranties.

**WARRANTY SERVICE:** To qualify for warranty service, you must (a) notify NuTone at the address stated below or telephone 1/800-543-8687, (b) give the model number and part identification and (c) describe the nature of any defect in the product or part. At the time of requesting warranty service, you must present evidence of the original purchase date.

Date of Installation

Builder or Installer

Model No. and Product Description

### IF YOU NEED ASSISTANCE OR SERVICE:

For the location of your nearest NuTone Independent Authorized Service Center:  
**Residents of the contiguous United States** Dial Free 1-800-543-8687

Please be prepared to provide:

Product model number • Date and Proof of purchase • The nature of the difficulty

**Residents of Alaska or Hawaii should write to:** NuTone Inc. Attn: Department of National Field Service, 4820 Red Bank Road, Cincinnati Ohio 45227-1599.

**Residents of Canada should write to:** Broan-NuTone Canada, 1140 Tristar Drive, Mississauga, Ontario, Canada L5T 1H9.

Rev. 03/2001